

# Step RC

PENDANT



## SPECIFICATION SHEET

### Step RC



#### Model 1541

#### Type

P Pendant

#### Size

24	24.0" [610mm]
28	28.0" [711mm]
32	32.0" [813mm]
36	36.0" [914mm]
48	48.0" [1219mm]

Custom

#### Wattage <sup>1,2</sup>

#### 24"

L 14W (1865lm)  
M 28W (3465lm)

#### 28"

L 17W (2265lm)  
M 34W (4210lm)

#### 32"

L 20W (2665lm)  
M 40W (4955lm)

#### 36"

L 23W (3065lm)  
M 46W (5695lm)

#### 48"

L 32W (4265lm)  
M 64W (7925lm)

#### Color Temp <sup>3</sup>

30	3000
35	3500
40	4000

#### Voltage

U	120/277 Volt
1	120 Volt (DFPN only - see section Control)

#### Driver

RD	Remote
ID	Integral

#### Control - (RD/ID)

S	Non-dim
D010	0-10V 10%
DFPN	Lutron Forward Phase 1% 120 Volt
L3DAE	Lutron Hi-lume 1% EcoSystem
L3DOE	Hi-lume Premier 0.1% EcoSystem (remote only)

#### Diffuser Bottom

SW Satin opal acrylic

#### Diffuser Top

CPS Clear polycarbonate - sanded both sides

#### Finish <sup>4</sup>

16	Clear anodized aluminum
21	Painted white - RAL 9010 matte
26	Painted black - RAL 9005 matte
22	Painted custom color

#### Mounting

SC Straight cables

#### Power Cable <sup>5</sup>

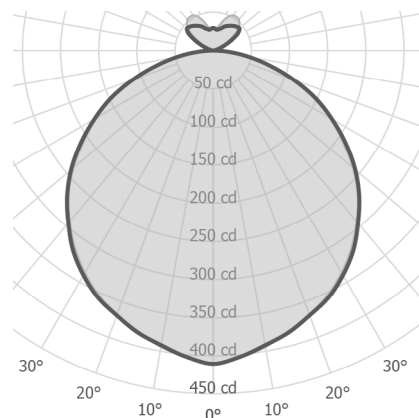
CC	Clear insulated cable (standard)
WC	White cable
BC	Black cable

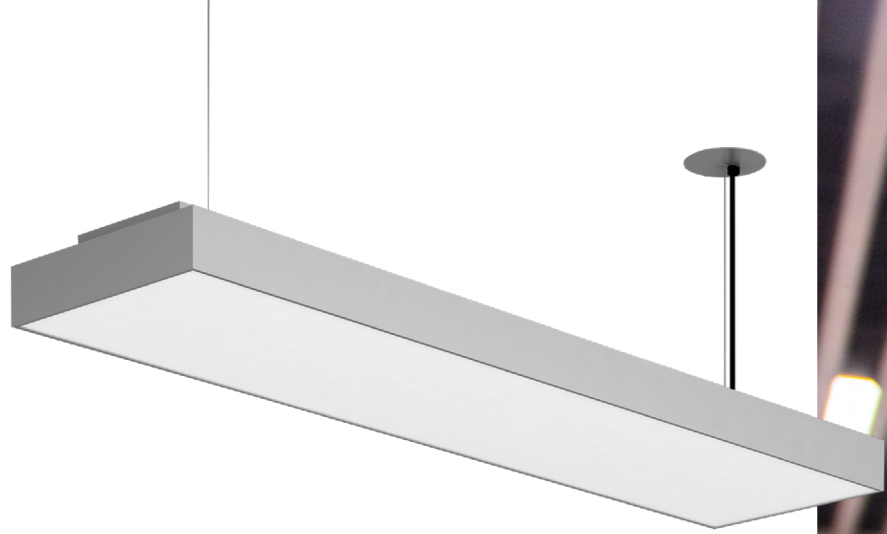
#### Notes

- 1 Nominal lumens value specified
- 2 Linear LED board, constant voltage 24 Volt
- 3 90+ CRI standard
- 4 Canopy finish matches housing  
For Clear anodized aluminum finish, canopy finish will be painted anodized aluminum
- 5 96" standard cable length

#### Example fixture number:

1541 - P - 24 - L - 30 - U - ID - S - SW - CPS - 16 - SC - CC





# Step RC

## PENDANT

The clean choice for architectural spaces. Elegant design and simple technical details are the design principles of the fixture. Extruded aluminum construction and Satin Opal diffuser.



Size	
24	24" [610mm]
28	28" [711mm]
32	32" [813mm]
36	36" [914mm]
48	48" [1,219mm]
Custom	



\* 70mm bottom diffuser profile

# Step RC

PENDANT



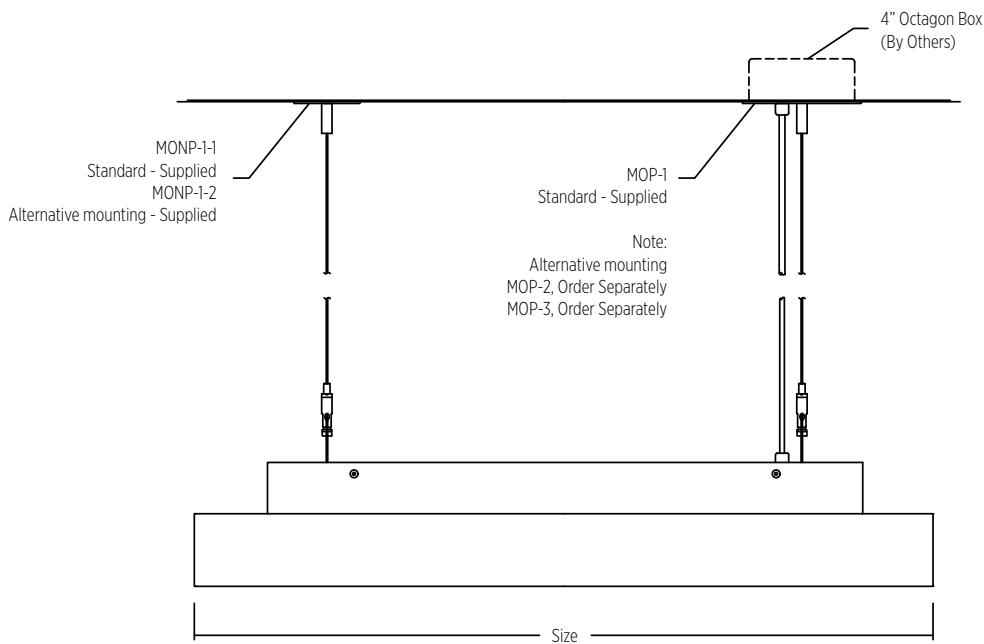
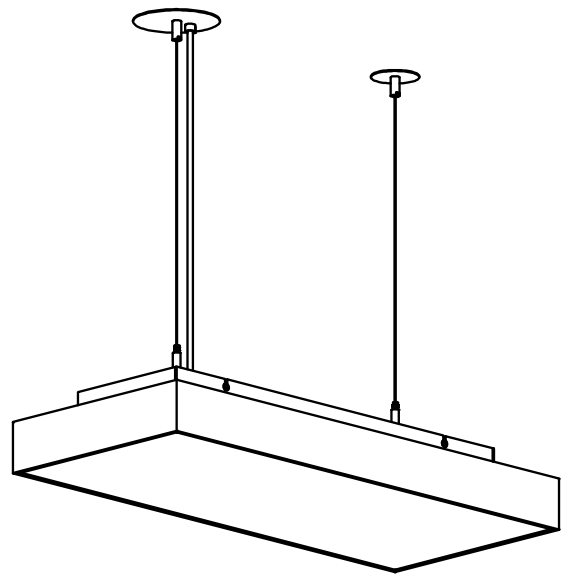
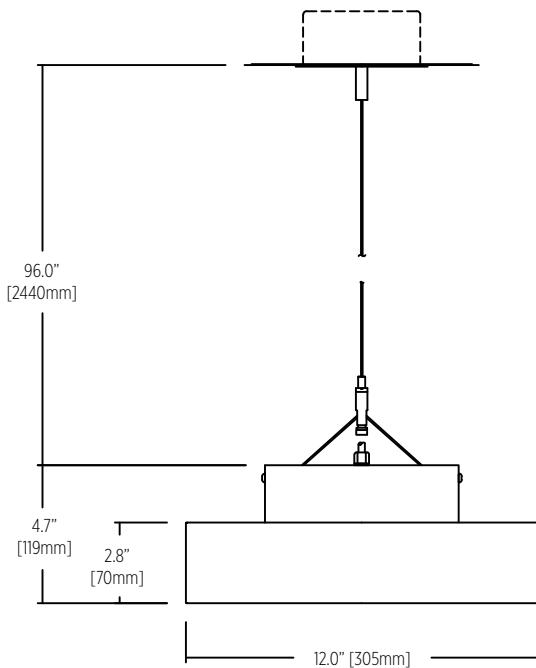
## SPECIFICATION SHEET

Step RC



### INSTALLATION TYPE

Straight cables with integral driver



# Step RC

PENDANT



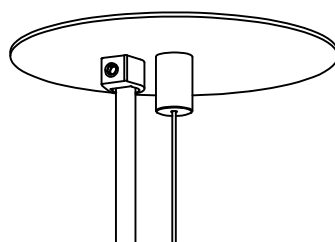
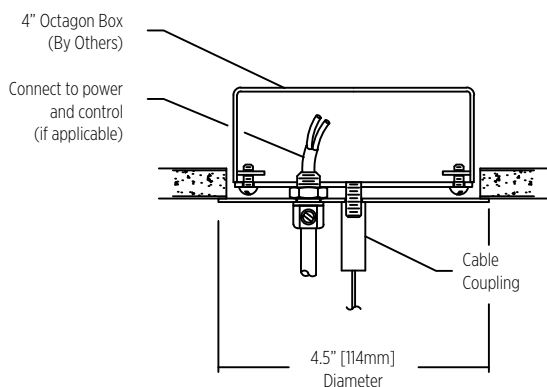
## SPECIFICATION SHEET

Step RC



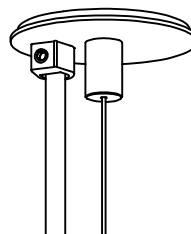
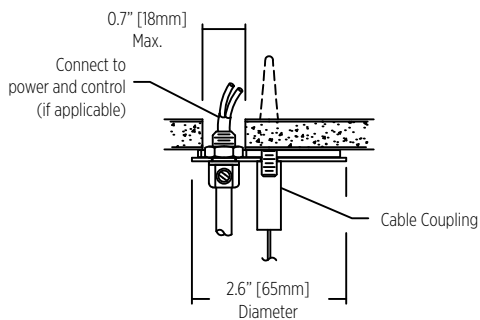
### STRAIGHT CABLES MOUNTING OPTION - POWER

#### MOP-1 Standard - Supplied



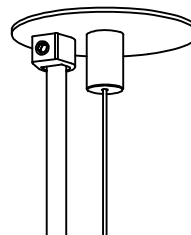
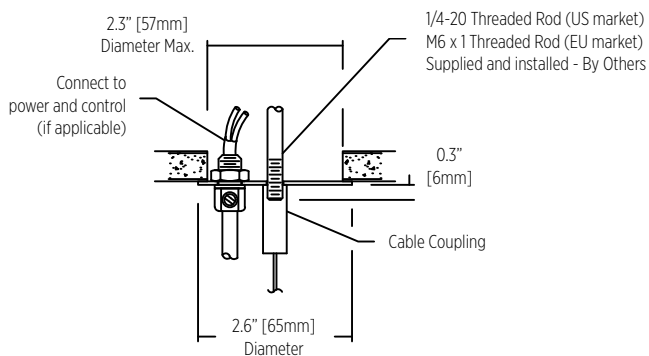
Mounting Option Power 1  
Octagon Box (By Others)  
Installed in drywall, wood or concrete ceiling

#### MOP-2-1 Order Separately



Mounting Option Power 2-1  
Suspension assembly  
Installed in drywall or wood ceiling

#### MOP-2-2 Order Separately



Mounting Option Power 2-2  
Suspension assembly  
Installed in drywall or wood ceiling

# Step RC

PENDANT

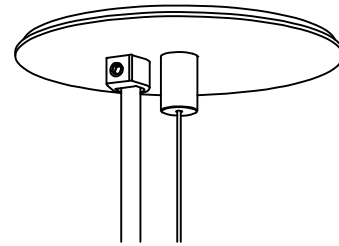
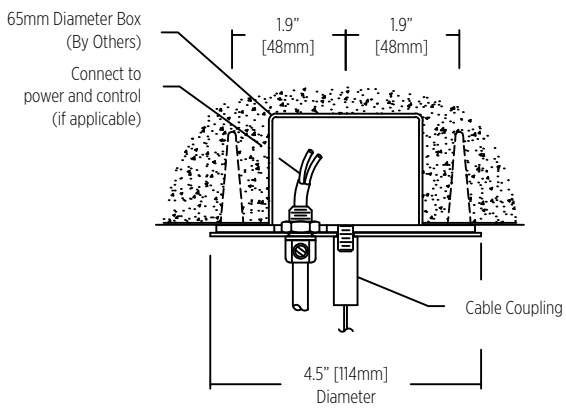


## SPECIFICATION SHEET

### Step RC



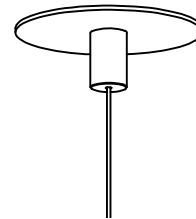
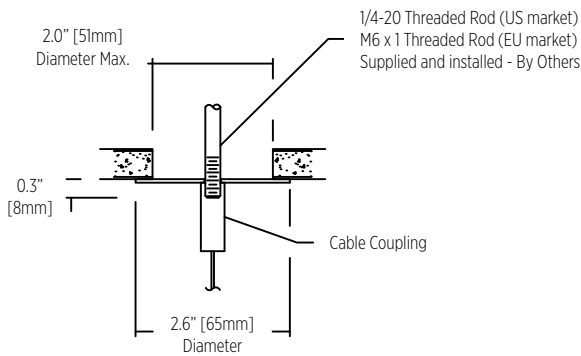
#### MOP-3 Order Separately



Mounting Option Power 3  
65mm Diameter Box (By Others)  
Installed in drywall, wood or concrete ceiling

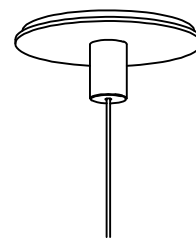
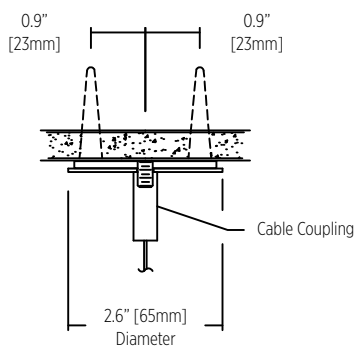
### STRAIGHT CABLES MOUNTING OPTION - NON POWER

#### MONP-1-1 Standard - Supplied



Mounting Option - Non Power  
Threaded Rod installed  
to structural ceiling (By Others)

#### MONP-1-2 Alternative - Supplied



Mounting Option - Non Power  
Suspension Assembly  
Installed in drywall, wood or concrete ceiling